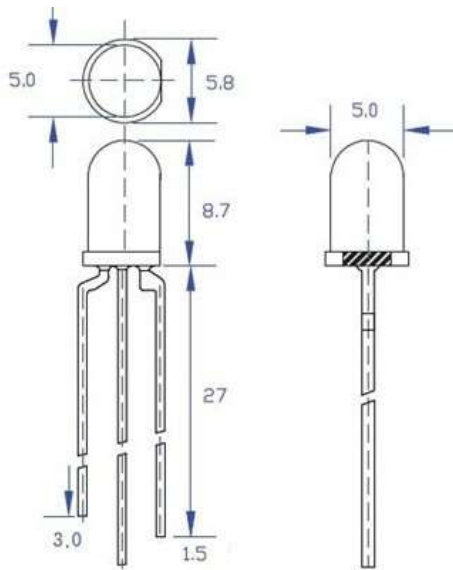


Product model (Part number system for LED lamp) 5MM red green dual color transparent
 n absolute value at $T_a=25\text{ }^\circ\text{C}$:



project	Symbol	numerical		unit
Chip		红光	绿光	
Maximum	IF	20	20	mA
Reverse	VF	5	5	V
Usage	TOP	-25~+85	-25~+85	°C
Welding	TSOL	260/≤3	260/≤3	°C/S
Power	PD	80	100	mW
Maximum		40	40	mA

Chip		
Chip type	GaP	GaP
Color: Red	Red	Green

Colloid	
Material:	Epoxy
Color	Misty

光电参数 (Initial Electrical Optical Characteristics)

Chip type: red light chip		green light chip			Chip type: red light chip				
Project parameters	Symbol	minimum value	general value	Project parameters	Symbol	minimum value	general value	Project parameters	Symbol
Luminous	IV	500	800	1000	80	100	120	mcd	IF=20mA
Luminous	2θ1/2	/	30	/	/	30	/	deg	IF=20mA
Peak	λp	/	625	/	/	560	/	nm	IF=20mA
Main	λd	620	626	630	560	565	570	nm	IF=20mA
bandwidth	Δλ	/	30	/	/	30	/	nm	IF=20mA
Forward	VF	1.9	2.1	2.3	1.8	2.0	2.2	V	IF=20mA
Reverse	IR	/	/	≤30	/	/	≤30	μA	VR=5V

Note: The LED products provided by our company can be customized according to customer needs, and the relevant technical parameters may change. For detailed information, please consult our relevant personnel.

Through aging experiments, it has been proven that this LED has a service life of 30000 to 100000 hours under normal operating conditions, namely $I_F=20\text{mA}$ and $V_F=2.5\text{V}$.

Note: Follow the anti-static welding operation (grounding wire, wearing static ring, wearing pure cotton finger cots)