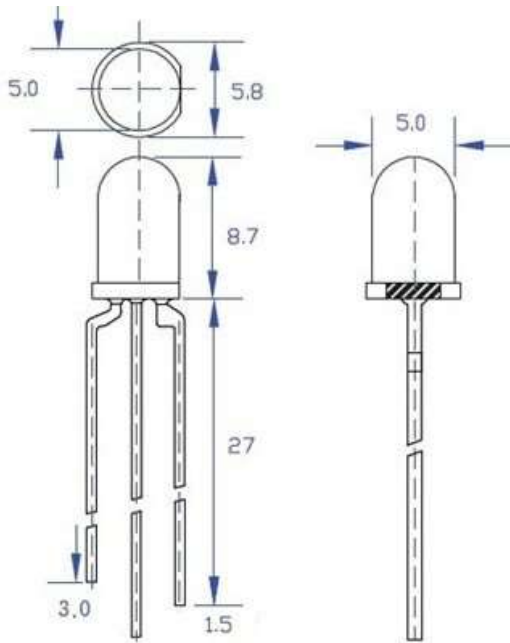


Product model (Part number system for led lamp) **5MM red blue dual color shade transparent**

Outline drawing (Package Dimensions) Company: (Unit): mm Maximum absolute value at Ta=25 °C:



Project	Symbol	numerical value		Company
Chip variety		Red light	blue	
Maximum operating current	IF	20	20	mA
Reverse voltage	VF	5	5	V
Usage temperature	TOP	-25~+85	-25~+85	°C
Welding temperature/time	TSOL	260/≤3	260/≤3	°C/S
Power consumption	PD	80	100	mW
Maximum forward current		40	40	mA

Chip		
Chip type	GaP	GaP
Color	Red light	blue

Colloid	
Materia	Epoxy resin
Color	Transparent

光电参数 (Initial Electrical Optical Characteristics)

Chip type		Red light chip			Green chip				
Project parameter symbol	general value	maximum value	minimum value	general value	maximum value	unit	testing conditions	Project parameter symbol	general value
minimum value								minimum value	
Luminous	IV	500	800	1000	4000	5000	6000	mcd	<b>IF=20mA</b>
Luminous	2θ1/2	/	30	/	/	30	/	deg	<b>IF=20mA</b>
Peak	λp	/	625	/	/	470	/	nm	<b>IF=20mA</b>
Main	λd	620	626	630	460	465	470	nm	<b>IF=20mA</b>

									A
bandwidth	$\Delta\lambda$	/	30	/	/	30	/	nm	$I_F=20m$ A
Forward	VF	1.9	2.1	2.3	2.8	3.0	3.2	V	$I_F=20m$ A
Reverse current	IR	/	/	$\leq 30$	/	/	$\leq 30$	$\mu A$	VR=5V

**Note: The LED products provided by our company can be customized according to customer needs, and the relevant technical parameters may change. For detailed information, please consult our relevant personnel.**

**Through aging experiments, it has been proven that this LED has a service life of 30000 to 100000 hours under normal operating conditions, namely  $I_F=20mA$  and  $V_F=2.5V$ .**

**Note: Follow the anti-static welding operation (grounding wire, wearing static ring, wearing pure cotton finger cots)**